

# SAVONA ELLIPSE AUTO DISPENSER

*Electronic no-touch automatic soap dispenser*



The SAVONA ELLIPSE AUTO range of dispensers provides an ultra hygienic solution for hand washing. Based on infra-red proximity technology combined with a fast dose delivery, this automatic soap dispenser delivers one of the most user-friendly no touch soap dispensing experiences.

The SAVONA ELLIPSE AUTO range encompasses two distinct versions – a foam soap and a liquid soap dispenser. These units are particularly suited to hygiene sensitive environments and are compatible with various cartridge sizes as well as a direct-fill bottle.

Thanks to its highly energy efficient electronic module this soap dispenser takes just 2 individual D-Cell batteries to service up to 85 foam soap bottles / 96 liquid soap bottles – which means that your running costs are kept extremely low.

The dispensers are available with a selection of customised inserts or in Kennedy's range of attractive finishes <sup>(1)</sup>



## Finishes available



Arctic White Designer Grey Chrome

## Customised insert designs available



White Turquoise Red Beige Metal Carbon Wood Water Drops

## Benefits

### Reliability and performance

- > Optimised electronic module to reduce battery consumption and running costs: up to 85 bottles of 800 ml foam soap or 96 bottles of 1 litre liquid soap per battery set
- > Quick-shot dose delivery system
- > Straightforward design and use of highly durable material
- > Locking system to deter theft and guarantee content integrity
- > The battery enclosure is secured using the standard Kennedy key
- > The pump "module" is a self contained, sealed unit
- > Non-drip patented pump mechanism for foam soap

### A wide range of Auto dispensers to suit every need

- > Two distinct units for foam and soap dispensing
- > Single use cartridge or direct fill bottle refills

- > Various refill sizes and a wide range of soap types
- > 8 customised colour/pattern design options to suit various environments
- > Available in Kennedy's premium finishes

### Ease of service

- > Low battery indicator LED on front cover
- > Hinged cover for operator convenience and speed of service
- > Practical inspection window shows when a refill is required
- > One security key for the whole Kennedy range

### Maximum Hygiene

- > Electronic no touch unit for ultimate hygiene
- > Patented one-way valve prevents soap and bacteria from returning to the cartridge

<sup>(1)</sup> Customised inserts are available with the Arctic White finish. Designer and Chrome finishes come with a black insert.

For more information  
[www.kennedy-hygiene.co.uk](http://www.kennedy-hygiene.co.uk)

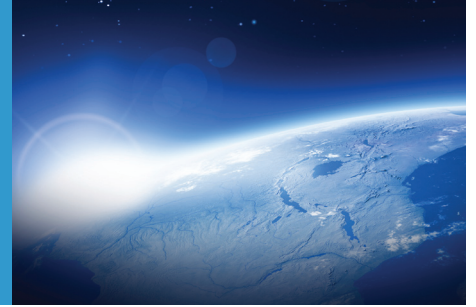


**Kennedy**

INTEGRATED HYGIENE SOLUTIONS

# SAVONA ELLIPSE AUTO DISPENSER

Electronic no-touch automatic soap dispenser



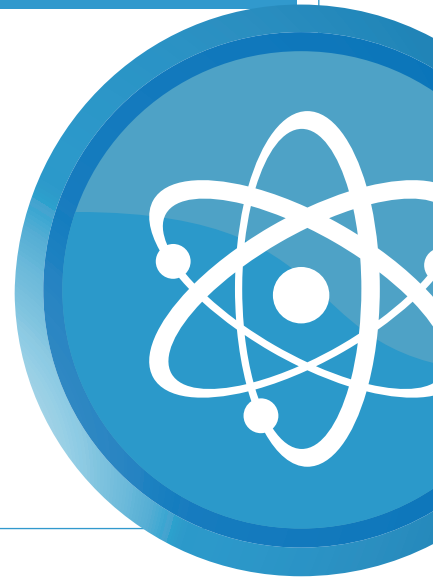
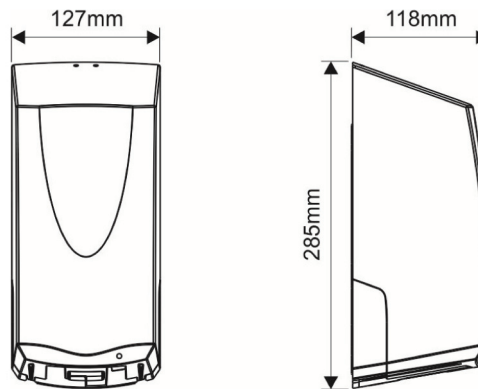
## Packaging info

	Packed	Qty Per	Weight/kg	Measurement in cm
SAVONA ELLIPSE AUTO FOAM	Carton	4	3.6	53 x 29 x 14
SAVONA ELLIPSE AUTO LIQUID	Carton	4	3.3	53 x 29 x 14

## Technical drawings

**Materials:** Constructed mainly from recyclable thermoplastics.

**Packing:** Individual units are packed in a polythene bag. 4 units and one installation/operating instruction sheet are packed per box.



## Consumables

	SOP SAV AUT COS	SOP SAV AUT HOS	SOP SAV AUT GEL PLU	SOP SAV REG	SOP SAV COS	SOP SAV HOS	SOP SAV GEL PLU	SOP SAV CRE	empty bottle (comes with dispenser)	SOP SAV FOA LRG	empty bottle (comes with dispenser)
Bottle volume ( ml )	650	650	650	1000	1000	1000	1000	1000	1000	800	800
Soap type	liquid	liquid	gel	liquid	liquid	liquid	gel	liquid	liquid	foam	foam
Soap description	cosmetic	antibacterial	alcoholic	regular	cosmetic	antibacterial	alcoholic	cream	direct fill	standard	direct fill
Dose size (ml)	0.8	0.8	0.8	0.8	0.8	0.8	0.8	0.8	1.5	0.4	0.4
	✓	✓	✓	✓	✓	✓	✓	✓	✓		
										✓	✓

### Kennedy Hygiene Products Limited

Brookside  
Uckfield  
East Sussex TN22 1YA  
United Kingdom

**T** +44 (0) 1825 768141  
**F** +44 (0) 1825 768143  
**E** sales@kennedy-hygiene.com

