

# Airplus Ellipse

60-day battery-free wick-based air freshener system



## Range

Air freshening

## Product Code

AFR AIR ELP

Airplus is a simple, battery-free, door-mounted air freshener solution for restroom cubicles. Offering ultra-low maintenance with easy loading and activation, our units do not require programming.

The built-in wick technology ensures gradual, continuous fragrance release for up to 60 days.

It comes with a set of 5 Kennedy fragrances ranging from fresh, cool tones to fruity and floral notes.

The unit fixes to top of door using double shield adhesive pads on the back, or it can be screw mounted. It is automatically activated when the cover is closed. The cover is self-supporting with secure lock which is opened using the standard product range key.

## Finishes available

Classic White     Designer Grey     Chrome     Satin

## Benefits

### Low maintenance

- 60-day refills mean servicing only 6 times a year\*
- Closing the cover activates the refill: no wasted time or spilled fragrance

### Ease of service

- No programming required
- Noiseless operation
- Quick installation kit offering choice between self-adhesive pad or screw mounting

### High quality

- Full range of fresh, modern, effective fragrances

### Environmentally friendly

- Non-aerosol
- No batteries or electricity required

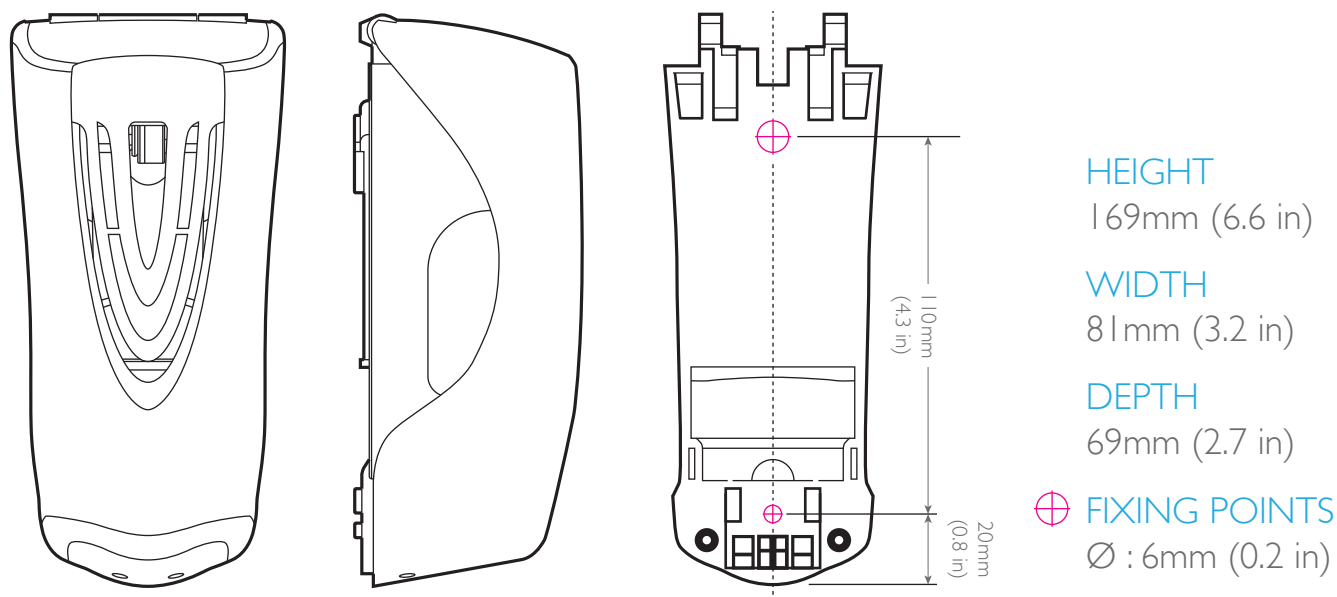


**Kennedy**

INTEGRATED HYGIENE SOLUTIONS

\* Based on installation in an enclosed restroom cubicle. Performance and duration in larger or open spaces may vary.

# Technical Specifications



## HEIGHT

169mm (6.6 in)

## WIDTH

81mm (3.2 in)

## DEPTH

69mm (2.7 in)

## ⊕ FIXING POINTS

∅ : 6mm (0.2 in)

## Materials

Backplate moulded in glass bead filled nylon, ABS cover and acetal mechanism. Dispenser can be recycled or disposed of in accordance with local regulations.

## Consumables

The freedom in fragrance™ range of air freshener fragrances forms an integral part of our air freshening systems. Airplus refills are available in the following 5 fragrances: **Lilac Mist, Mint Zone, Peach Zing, Water Fresh and Citrus Spring**

- All fragrances counteract both washroom and tobacco malodour
- Patented dual action neutralising agent for advanced malodour control
- Safe formulations approved for use under EU regulations
- Airplus consumables are labelled to comply with the Control of Labeling and Packaging Directive 1272/2008

## Packaging

Individual Airplus dispensers are packed in a polythene bag and packed into carton holding 4 off.

Product	Packed	Quantity per	Weight (individual)	Weight (of carton)	Measurements (carton dimensions)
Airplus dispenser	Carton	4	0.16kg (0.35lb)	0.83kg (1.83lb)	315 x 180 x 90mm (12.4 x 7.1 x 3.5in)



**Kennedy Hygiene Products Limited**

Brookside, Uckfield, East Sussex, United Kingdom TN22 1YA

T +44 (0) 1825 768141 F +44 (0) 1825 768143 E sales@kennedy-hygiene.com

[www.kennedy-hygiene.com](http://www.kennedy-hygiene.com)