

INTEGRA ELLIPSE

Best selling cotton roller towel cabinet



INTEGRA ELLIPSE is Kennedy's best selling cotton roller towel cabinet. Ideal for even the busiest washroom it is a highly robust and reliable hand drying system. The INTEGRA ELLIPSE provides hygiene, service and environmental benefits while delivering a 'comfort like home' hand drying experience for the end user.

The consumable used with INTEGRA ELLIPSE, the cotton towel, is a natural biodegradable product making this system a positive choice for the environment.

This cabinet delivers 200 portions of clean towel from a standard 40m towel and is available with a selection of customised inserts as well as in Kennedy's range of attractive finishes⁽¹⁾



Finishes available



Arctic White Designer Grey Chrome

Customised insert designs available



White Turquoise Red Beige Metal Carbon Wood Water Drops

Benefits

Reliability & Durability

- > 40 years experience in cabinet engineering
- > Proven ultra robust mechanism
- > Lockable cabinet to prevent unauthorised access

Hygiene & Image

- > Modern design
- > Used towel isolated from clean towel

Ease of Service

- > Instant towel check through transparent reservoir
- > Lock can be located on either side to maximise fitting options

Environmentally Friendly

- > Mechanical operation – no external power source required
- > Cotton towels are one and a half times less harmful to the environment than paper equivalents*
- > 100% recyclable components

⁽¹⁾ Customised inserts are available with the Arctic White finish. Designer and Chrome finishes come with a black insert.

*Source ETSA lifecycle analysis study 2007

For more information
www.kennedy-hygiene.co.uk



Kennedy

INTEGRATED HYGIENE SOLUTIONS

INTEGRA ELLIPSE

Best selling cotton roller towel cabinet



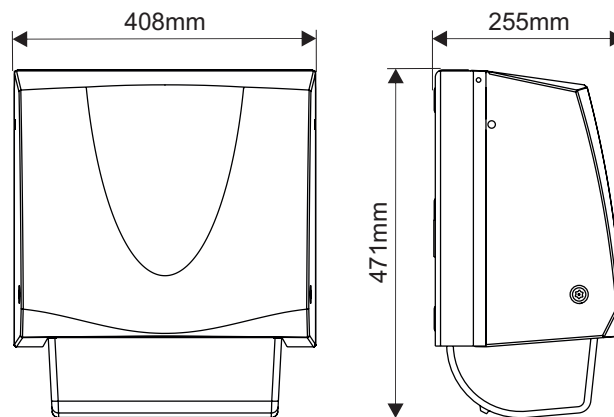
Packaging info

	Plt. type	Packed	Qty Per	Weight/kg	Measurement in cm
INTEGRA ELLIPSE		Carton	2	15.0	52 x 41 x 39
	Cab. Plt.	Pallet	60	421	130 x 100 x 204

Technical drawings

Materials: Back plate made from steel and painted white. Front cover and various internal parts made from ABS and other engineering thermoplastics.

Packing: Two cabinets are packed into a double wall carton.



Consumables

> 40m Standard Cotton Roller Towels

Kennedy cotton roller towel dispensers – towel usage/service frequency

200 Towel Portions

Medium to high traffic

4-5 users per cabinet 3 times per day = towel change every 2 weeks

8-10 users per cabinet = weekly towel change

Kennedy Hygiene Products Limited

Brookside

Uckfield

East Sussex TN22 1YA

United Kingdom

T +44 (0) 1825 768141

F +44 (0) 1825 768143

E sales@kennedy-hygiene.com

