



Kennedy

CLEANER BY DESIGN

Kennedy Hygiene Products Limited
Brookside, Uckfield,
East Sussex, TN22 1YA
United Kingdom
Telephone: +44 (0)1825 768141
Fax: +44 (0)1825 768143
e-mail: sales@kennedy-hygiene.com
Website: www.kennedy-hygiene.com

PRODUCT SPECIFICATION SHEET

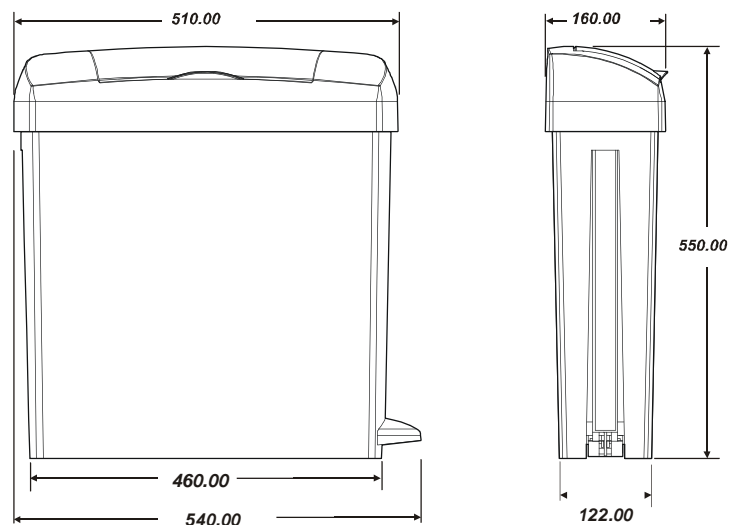
INTIMA

KHP Part No:	Manual:	LAD BIN ITM UNP
	Foot Pedal:	LAD BIN ITM PDL UNP
	Auto:	LAD BIN ITM AUT UNP

DESCRIPTION

- 23L bin capacity
- Available in foot pedal, manual and electronic no-touch models
- Reversible top cover for easy location either side of the cubicle
- Designed with soft edges to aid cleaning
- Top cover easily/quickly removed for speedy service
- Discreet recess in back of the cover to ease carrying

DIMENSIONS



MATERIALS

Constructed predominantly from ABS.
Dispenser can be recycled or disposed of in accordance with local regulations.

PACKING

Assembled units packed in poly bags, two in a carton.

Individual weight:	Manual - 2.8kg	Total weight:	Manual - 6.1kg
	Pedal - 3.0kg		Pedal - 6.5kg
	Auto - 3.2kg		Auto - 6.9kg