

PRODUCT SPECIFICATION SHEET

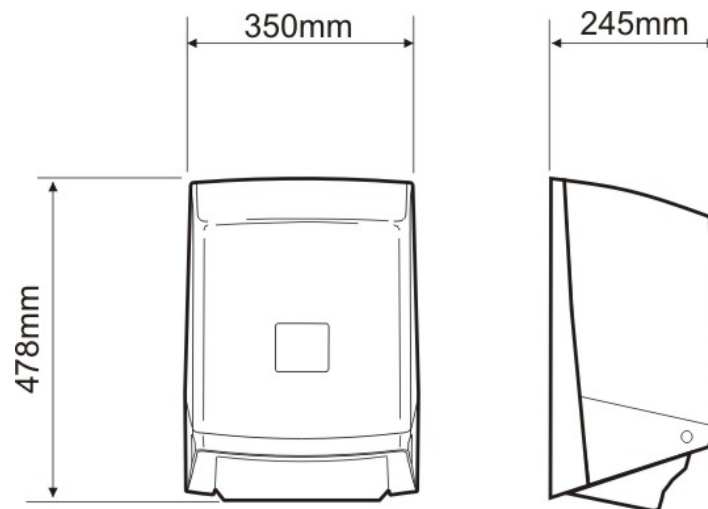
MINI TEKNA MECHANICAL RETRACTABLE CABINET

**KHP Part No: CAB TEK MIN MIR
CAB TEK MIN BLA**

DESCRIPTION

- Fully retractable standard width cotton towel cabinet.
- Designed to be used with 40M long standard width towels, up to maximum width of 200mm.
- Clean towel stored above dirty towel in transparent ABS bin for total separation between clean and dirty towel.
- Stop mechanism to control towel consumption.
- Mechanism can be easily removed without tools.
- Self supporting cover with snap shut action.
- Transparent side windows for easy towel level indication.
- Left/Right hand lock. Lock uses key common with other products in the range.

DIMENSIONS



MATERIALS

Constructed from ABS, other engineering thermoplastics and metal fabrication where necessary for strength and reliability.

Cabinet can be recycled or disposed of in accordance with local regulations.

PACKING

A single cabinet is packed into a double wall box with key and instruction sheet.

Box dimensions: 50cm x 43cm x 26cm

Individual Weight: 7.3 kg.